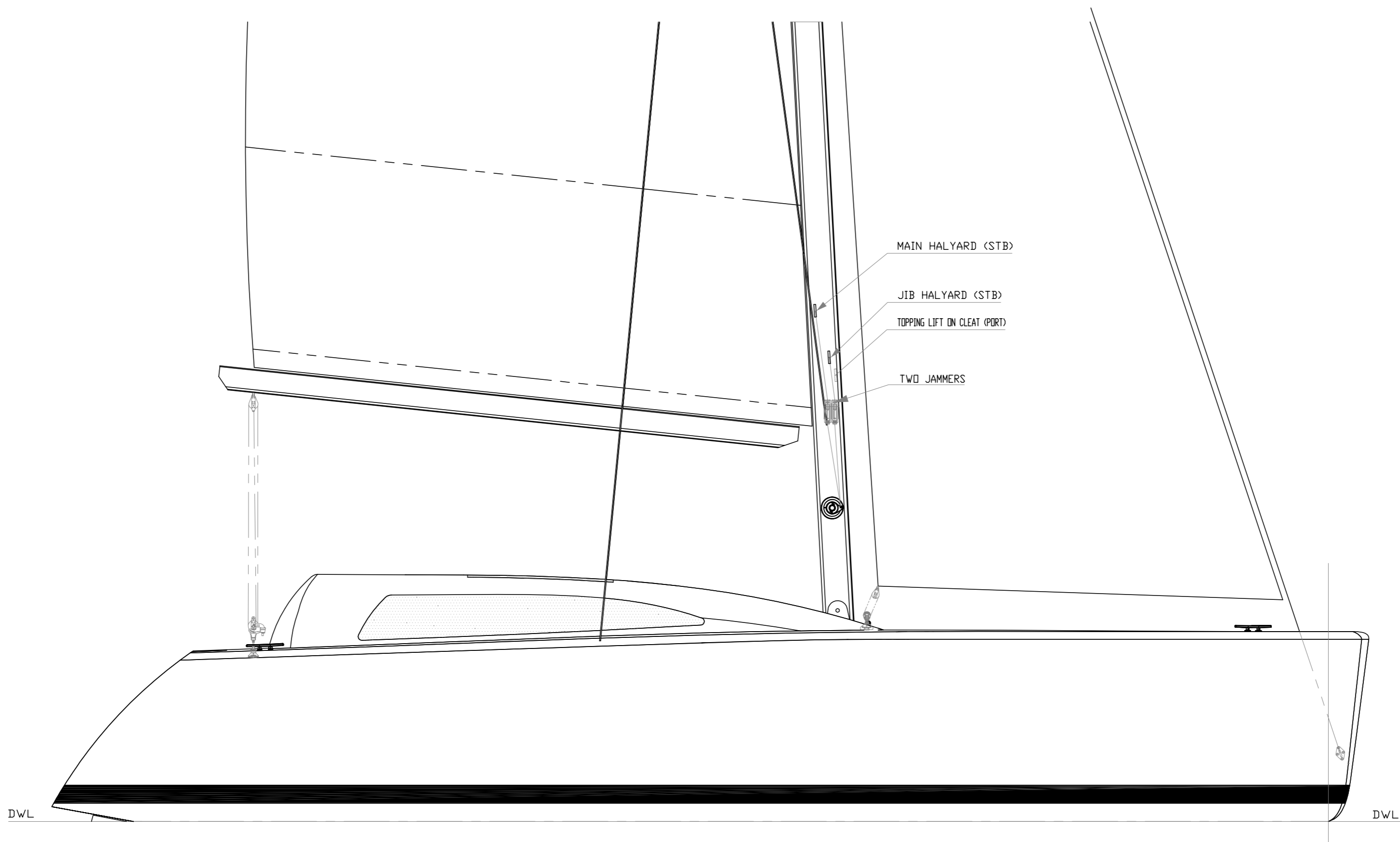
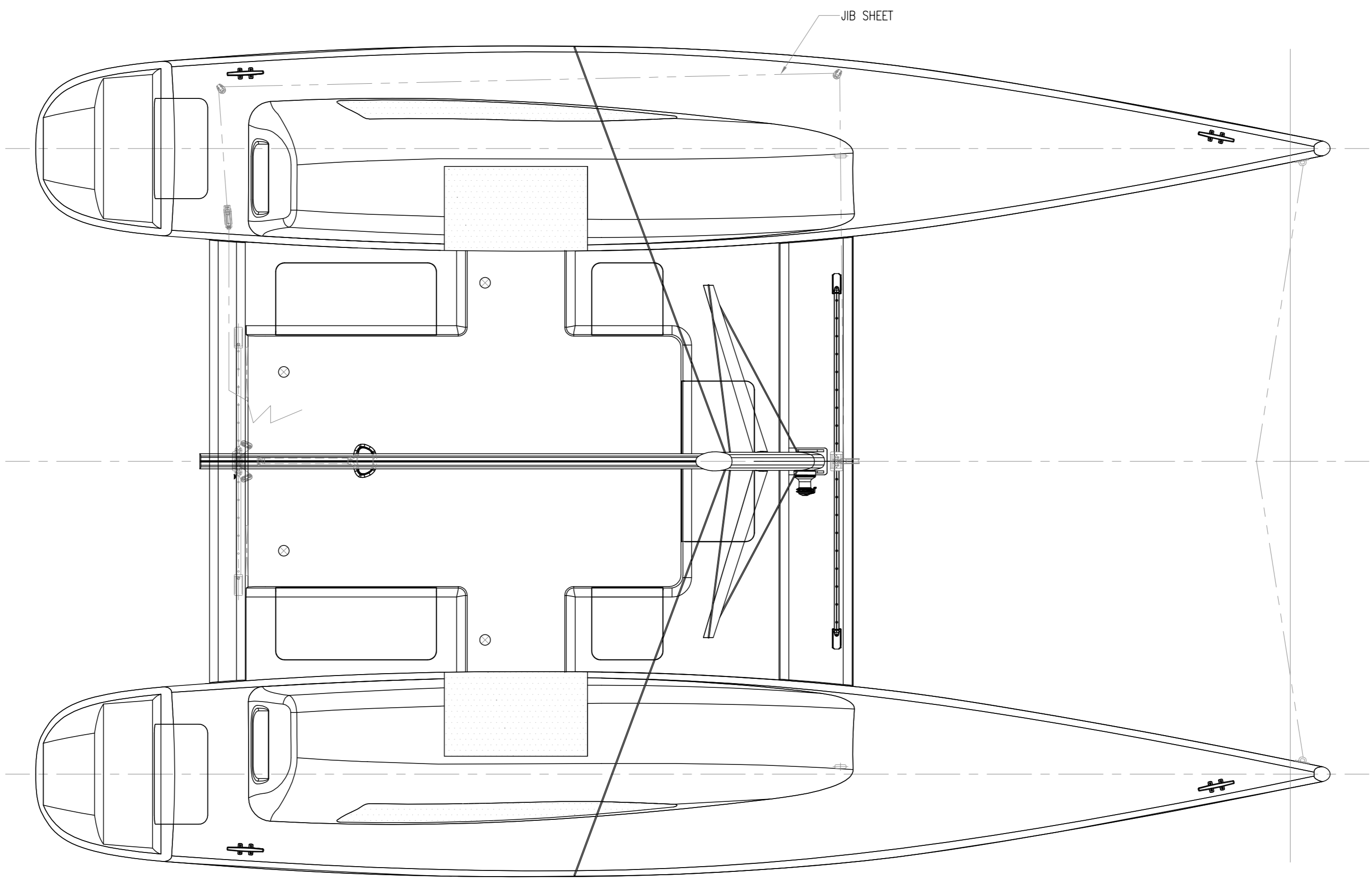


PARTICULARS	
LDA	7.28
LWL	6.57m
BEAM OVERALL	4.65m
HULL BEAM	1.15m
DRAUGHT	0.63m
HULL DRAUGHT	0.225m
DISP	930 kgs
BRIDGE DECK CLEAR.	0.45m



SIDE ELEVATION



PLAN VIEW



C	REMOVED SEAT, ADDED DRAINS, HATCH UPDATED	25/08/08
B	CHANGES MADE	10/07/07
A	CHANGES MADE	03/07/07
ALT	MODIFICATION	DATE

CLIENT:	VVS CONSTRUCTION
DESIGN:	SKEDADDLE CAT 24'
TITLE:	DECK LAYOUT GA - BASIC BOAT VERSION
SCALE:	1:20 on A1
DATE:	29 MAY 2008
DWG No:	084-301-00
DRAWN BY:	HAN

THE COPYRIGHT OF THIS DRAWING IS EXPRESSLY RESERVED AND NO PART OF IT MAY BE COPIED WITHOUT PRIOR PERMISSION. THIS DRAWING IS ISSUED UNDER BU YACHT DESIGN'S STANDARD TERMS & CONDITIONS OF BUSINESS.

DUTOIT Yacht design

Tel: 021 975 2200 Fax: 021 975 4039 Cell: 083 564 9072
 Email: out@global.co.za P.O. Box 2524, Durbanville, 7551, Cape Town, South Africa